

## Spoked handwheels

Aluminium, plastic coated

### SPECIFICATION

#### Types

- Type **A**: without handle
- Type **R**: with revolving handle

#### Bore codes

- Version **B**: without keyway
- Version **K**: with keyway

Aluminium pressure die casting

- Hub machined
- Rim turned
- plastic coated

black, RAL 9005, textured finish **SW**

silver, RAL 9006, textured finish **SR**

Rim concentric and square to bore < 0.4

Cylindrical Revolving handles GN 798.2 (see page 578)

Plastic, Technopolymer  
black, matt



reddot design award

### INFORMATION

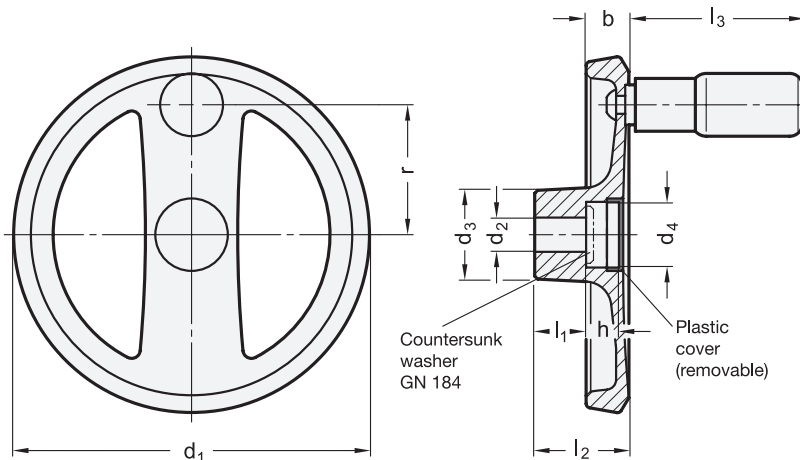
Spoked handwheels GN 924 are distinguished by modern design. The removable plastic cover shrouds the fixing components such as screws, countersunk washers as well as the shaft end.

### ACCESSORY

- Countersunk washers GN 184 (see page 971) are to be ordered separately

### TECHNICAL INFORMATION

- Keyway P9 DIN 6885 (see page A16)
- Cross holes GN 110 (see page A17)
- ISO-Fundamental Tolerances (see page A21)





\* Complete with colour index of the Handwheels (SW or SR)

**SW** **SR**  
RAL9005 RAL9006

### GN 924-A

Description	d1	d2 H7	d3	d4	b	h	l1	l2 ≈	Recommended countersunk washer	⚖️
GN 924-125-B12-A-*	125	12	31	23	15	11	18	33.5	GN 184-20	255
GN 924-125-K12-A-*	125	12	31	23	15	11	18	33.5	GN 184-20	255
GN 924-125-B14-A-*	125	14	31	23	15	11	18	33.5	GN 184-20	250
GN 924-125-K14-A-*	125	14	31	23	15	11	18	33.5	GN 184-20	250
GN 924-140-B14-A-*	140	14	36	28.5	16.5	13	19	36.5	GN 184-25	340
GN 924-140-K14-A-*	140	14	36	28.5	16.5	13	19	36.5	GN 184-25	340
GN 924-140-B16-A-*	140	16	36	28.5	16.5	13	19	36.5	GN 184-25	340
GN 924-140-K16-A-*	140	16	36	28.5	16.5	13	19	36.5	GN 184-25	340
GN 924-160-B14-A-*	160	14	36	28.5	18	14.5	20	39.5	GN 184-25	460
GN 924-160-K14-A-*	160	14	36	28.5	18	14.5	20	39.5	GN 184-25	460
GN 924-160-B16-A-*	160	16	36	28.5	18	14.5	20	39.5	GN 184-25	460
GN 924-160-K16-A-*	160	16	36	28.5	18	14.5	20	39.5	GN 184-25	460
GN 924-200-B18-A-*	200	18	42	36	20.5	16	24	45.5	GN 184-32	730
GN 924-200-K18-A-*	200	18	42	36	20.5	16	24	45.5	GN 184-32	730
GN 924-200-B20-A-*	200	20	42	36	20.5	16	24	45.5	GN 184-32	730
GN 924-200-K20-A-*	200	20	42	36	20.5	16	24	45.5	GN 184-32	730

### GN 924-R

Description	d1	d2 H7	d3	d4	b	h	l1	l2 ≈	l3 ≈	r	Ø Handle	Recommended countersunk washer	⚖️
GN 924-125-B12-R-*	125	12	31	23	15	11	18	33.5	61.5	45.5	22	GN 184-20	340
GN 924-125-K12-R-*	125	12	31	23	15	11	18	33.5	61.5	45.5	22	GN 184-20	340
GN 924-125-B14-R-*	125	14	31	23	15	11	18	33.5	61.5	45.5	22	GN 184-20	340
GN 924-125-K14-R-*	125	14	31	23	15	11	18	33.5	61.5	45.5	22	GN 184-20	340
GN 924-140-B14-R-*	140	14	36	28.5	16.5	13	19	36.5	76.5	52	24	GN 184-25	450
GN 924-140-K14-R-*	140	14	36	28.5	16.5	13	19	36.5	76.5	52	24	GN 184-25	440
GN 924-140-B16-R-*	140	16	36	28.5	16.5	13	19	36.5	76.5	52	24	GN 184-25	450
GN 924-140-K16-R-*	140	16	36	28.5	16.5	13	19	36.5	76.5	52	24	GN 184-25	440
GN 924-160-B14-R-*	160	14	36	28.5	18	14.5	20	39.5	76.5	61	24	GN 184-25	560
GN 924-160-K14-R-*	160	14	36	28.5	18	14.5	20	39.5	76.5	61	24	GN 184-25	560
GN 924-160-B16-R-*	160	16	36	28.5	18	14.5	20	39.5	76.5	61	24	GN 184-25	570
GN 924-160-K16-R-*	160	16	36	28.5	18	14.5	20	39.5	76.5	61	24	GN 184-25	570
GN 924-200-B18-R-*	200	18	42	36	20.5	16	24	45.5	85	77.5	25	GN 184-32	890
GN 924-200-K18-R-*	200	18	42	36	20.5	16	24	45.5	85	77.5	25	GN 184-32	890
GN 924-200-B20-R-*	200	20	42	36	20.5	16	24	45.5	85	77.5	25	GN 184-32	880
GN 924-200-K20-R-*	200	20	42	36	20.5	16	24	45.5	85	77.5	25	GN 184-32	880